

Go to www.vtechcanada.com to register your product for enhanced warranty support and the latest VTech product news.

VC7002 Accessory Open/Closed Sensor for use with ULE certified systems*

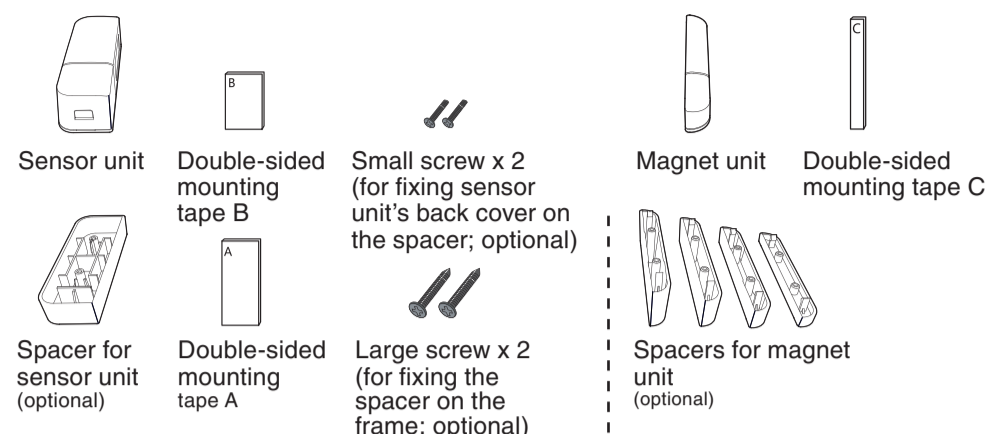


Congratulations

on purchasing your new VTech product. Before using this product, please read **Important safety instructions**. This manual has instructions on how to set up and register your new sensor. For instructions on sensor settings, see the user's manual that came with your ULE compatible products. Visit www.vtechphones.com/wireless-monitoring for a list of the latest ULE compatible products. You may also view or download the online User's manual of the respective product for a full set of installation and operation instructions at www.vtechcanada.com.

What's in the box

Your product package contains the following items. Save your sales receipt and original packaging in the event warranty service is necessary.

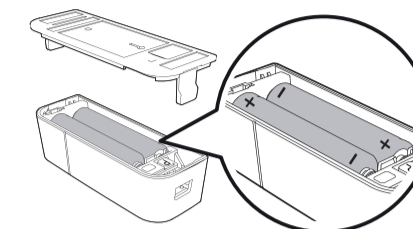


Before use

Install batteries to the Open/Closed Sensor

NOTES

- Use 2 x AAA batteries. Alkaline batteries are recommended. If you use other kind of batteries, the performance of the sensor varies.
- Do not mix old and new batteries. Do not mix alkaline, standard (Carbon-Zinc) or rechargeable (Ni-Cad, Ni-Mh, etc) batteries.
- While you insert the batteries, make sure the polarities are correct.
- The batteries operate properly under the temperature between 0°F (-18°C) and 130°F (55°C).



- Press the latch button on the sensor to open the battery compartment case.
- Insert two AAA alkaline batteries into the battery compartment.



vtech® User's manual (Canada version)

* Visit www.vtechphones.com/wireless-monitoring for the latest ULE compatible products.

Add and register a sensor

Your new **VC7002** Open/Closed Sensor can be registered to any ULE compatible product.

Register each sensor individually to the respective ULE compatible product before use.

Register a sensor:

- Enter the registration mode by selecting the option for adding a sensor to your ULE compatible product. Refer to the user's manual of your ULE compatible product for more detailed instructions.
- Press and hold** the **P** button on the Open/Closed Sensor, until the LED light flashes red, to enter the registration mode.
- When the registration process is complete, the red LED light on the sensor will remain steady for about two seconds, and then turn off. The registration process takes about 90 seconds to complete.

NOTE

- You can also download online User's manuals at www.vtechcanada.com.

Replacing a sensor

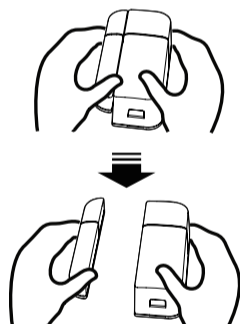
If you have purchased this new **VC7002** accessory sensor to replace an old sensor, you must deregister the registered sensor first, and then register this new sensor to your ULE compatible product.

Deregister a sensor or all sensors:

- Refer to the User's manual of your ULE compatible products to deregister a sensor or all sensors.

Check the sensor before use

- Separate the sensor unit from the magnet unit.



- You will receive alerts at your ULE compatible product. Refer to the Installation guide or User's manual of your ULE compatible product for the sensor alerts.

- Combine the sensor unit with the magnet unit.

Test the sensor signal strength

You can mount the Open/Closed Sensor on a door, window, medicine cabinet, or any object that opens or closes. Before mounting the sensor, make sure you test if the location you install the sensor is in range from your ULE compatible product.

- Use adhesive tape to hold the sensor temporarily in place.
- Mount the sensor to a higher position to avoid obstacles or blockages. Depending on surroundings and obstructing factors, like walls or cabinets, the sensor may not transmit to the baby unit properly.

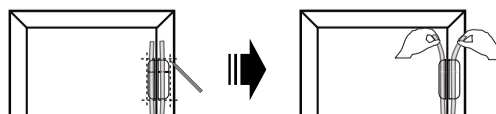
- Take the sensor unit and magnet unit to the desired mounting location, and use adhesive tape to hold them temporarily in place at the object and the frame.
- Enter the signal checking or testing mode at your ULE compatible product to test the sensor signal strength.
- Open the door, window, or medicine cabinet again and check whether a good signal is received at your ULE compatible product.



NOTES

- If **No signal** or **Weak signal** message is displayed in sensor setup mode, mode, or if you do not receive an alert when you open the door, move the telephone base closer to the mounting location or move the sensor closer to the telephone base.
- Depending on surroundings and obstructing factors, like walls or cabinets, the sensor may not transmit to the base properly.

After testing the sensor signal strength, mark the mounting location on the door, window, or medicine cabinet and its respective frame. Then, remove the adhesive tape and proceed to the mounting process.



NOTE

- The door images in this manual are for conceptual reference only.

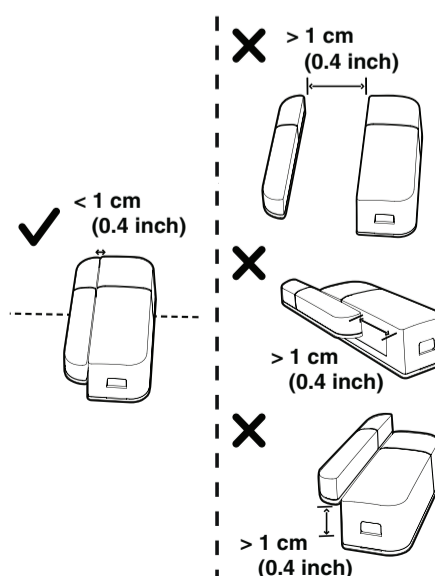
Mount the sensor

We recommend you mount the magnet unit on a door, window, or medicine cabinet, and mount the sensor unit on its respective frame.

You can use the spacers provided if there is a difference in level between the door and the frame. The spacer will help to align your sensor to the correct height. You can also use a spacer if the frame is too narrow or has some decorative molding.

NOTES

- You can mount the sensor unit with mounting tape first, and then use screws later if you decide to mount it at that location for long term.
- Make sure the mounting surface is clean. A textured surface or any imperfections to a smooth surface can keep the mounting tape from making a strong bond.
- Align the magnet unit with sensor unit when mounting.
- The distance between the sensor unit and magnet unit must be **less than 1 cm (0.4 inch)**.

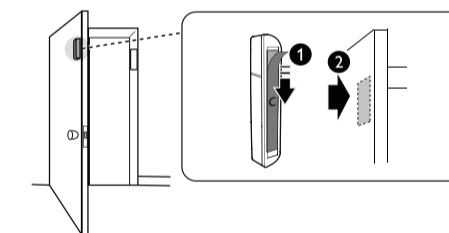


Mount the magnet unit

Without spacer

Mount with tape

- Attach mounting tape **C** onto the rectangular area at the rear side of the magnet unit.
- Stick the magnet unit onto the door.

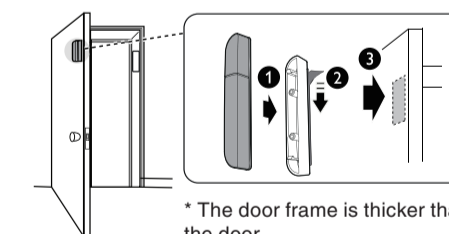


With spacer (optional)

Mount with tape

You can choose one out of the four spacers with suitable height, and then add it to the magnet unit.

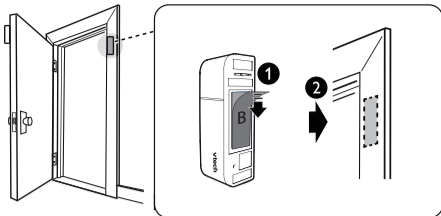
- Push the spacer towards the magnet unit until it securely clicks into place.
- Attach mounting tape **C** onto the rectangular area at the rear side of the spacer.
- Stick the magnet unit onto the door.



* The door frame is thicker than the door.

Mount the sensor unit

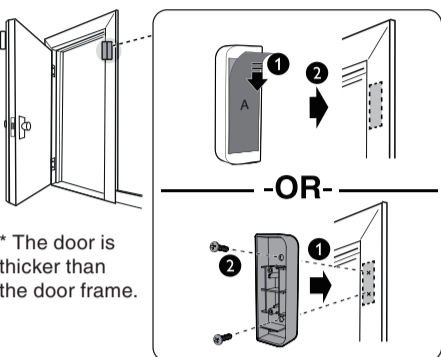
Without spacer



Mount with tape

1. Attach mounting tape **B** onto the rectangular area at the rear side of the back cover
2. Stick the sensor unit onto the frame.

With spacer (optional)



* The door is thicker than the door frame.

Mount spacer with tape

1. Attach mounting tape **A** onto the rectangular area at the rear side of the spacer.
2. Stick the spacer onto the frame.

-OR-

Mount spacer with screws

1. Use a pencil to mark two holes on the desired location on the frame, with the aid of the two holes on the spacer of the sensor unit. Then, remove the spacer and drill two holes into the frame.
2. Align the holes on the spacer with the holes on the frame. Tighten the large screws into the holes to secure the spacer onto the frame.

Mount sensor unit onto spacer

3. Press the latch button on the sensor unit to open the battery compartment case from the back cover.
4. Align the holes on the battery compartment back cover with the holes on the mounted spacer.
5. Tighten the small screws into the holes to secure the back cover of the sensor onto the mounted spacer.
6. Push the battery compartment case back onto the back cover on the mounted spacer until it securely clicks into place.

General product care

Taking care of your sensor

Your sensor contains sophisticated electronic parts, so it must be treated with care.

Avoid rough treatment

Place the sensor down gently. Save the original packing materials to protect your sensor if you ever need to ship it.

Avoid water

Your sensor can be damaged if it gets wet. Do not use the sensor outdoors in the rain, or handle it with wet hands. Do not install the sensor near a sink, bathtub or shower.

Electrical storms

Electrical storms can sometimes cause power surges harmful to electronic equipment. For your own safety, take caution when using electrical appliances during storms.

Cleaning your sensor

Your sensor has a durable plastic casing that should retain its luster for many years. Clean it only with a dry non-abrasive cloth. Do not use dampened cloth or cleaning solvents of any kind.

Storage

When you are not going to use the sensor for some time, remove the battery from the sensor. Store the sensor in a cool and dry place.

Frequently asked questions

Below are the questions most frequently asked about the sensor. If you cannot find the answer to your question, visit our website at www.vtechcanada.com or call **1-800-267-7377** for customer service.

| | |
|----------------------------------|--|
| The sensor does not work at all. | Make sure two AAA alkaline batteries are installed. |
| | The sensor may be deregistered from the telephone base. Register it back to your ULE compatible product. |
| | The sensor may be out of range. Move the sensor closer to your ULE compatible product. |

Important safety instructions

When using your equipment, basic safety precautions should always be followed to reduce the risk of fire, electric shock and injury, including the following:

1. Adult setup is required.
2. Do not use this product near water. For example, do not use it next to a bath tub, wash bowl, kitchen sink, laundry tub or swimming pool, or in a wet basement or shower.
3. Do not place this product on an unstable table, shelf, stand or other unstable surfaces.
4. This product should not be placed in any area where proper ventilation is not provided. Slots and openings in the back or bottom of this product are provided for ventilation. To protect them from overheating, these openings must not be blocked by placing the product on a soft surface such as a bed, sofa or rug. This product should never be placed near or over a radiator or heat register.
5. Never push objects of any kind into this product through the slots because they may touch dangerous voltage points or create a short circuit. Never spill liquid of any kind on the product.
6. To reduce the risk of electric shock, do not disassemble this product, but take it to an authorized service facility. Opening or removing parts of the product other than specified access doors may expose you to dangerous voltages or other risks. Incorrect reassembling can cause electric shock when the product is subsequently used.
7. Periodically examine all components for damage.
8. Children should be supervised to ensure that they do not play with the product.
9. The product is not intended for use by persons (including children) with reduced physical, sensory or mental capabilities, or lack of experience and knowledge, unless they have been given supervision or instruction concerning use of the appliance by a person responsible for their safety.

SAVE THESE INSTRUCTIONS

Battery

- **CAUTION:** Use only the batteries indicated in this manual. There may be a risk of explosion if a wrong type of battery is used for the sensor unit.
- Do not dispose of the battery in a fire. Check with local waste management codes for special disposal instructions.
- Do not open or mutilate the battery. Released

electrolyte is corrosive and may cause burns or injury to the eyes or skin. The electrolyte may be toxic if swallowed.

- Exercise care in handling batteries in order not to create a short circuit with conductive materials.

Precautions for users of implanted cardiac pacemakers

Cardiac pacemakers (applies only to digital cordless devices):

Wireless Technology Research, LLC (WTR), an independent research entity, led a multidisciplinary evaluation of the interference between portable wireless devices and implanted cardiac pacemakers. Supported by the U.S. Food and Drug Administration, WTR recommends to physicians that:

Pacemaker patients

- Should keep wireless devices at least six inches from the pacemaker.
- Should NOT place wireless devices directly over the pacemaker, such as in a breast pocket, when it is turned ON.

WTR's evaluation did not identify any risk to bystanders with pacemakers from other persons using wireless devices.

FCC and IC regulations

FCC Part 15

This equipment has been tested and found to comply with the requirements for a Class B digital device under Part 15 of the Federal Communications Commission (FCC) rules. These requirements are intended to provide reasonable protection against harmful interference in a residential installation. This equipment generates, uses and can radiate radio frequency energy and, if not installed and used in accordance with the instructions, may cause harmful interference to radio communications. However, there is no guarantee that interference will not occur in a particular installation. If this equipment does cause harmful interference to radio or television reception, which can be determined by turning the equipment off and on, the user is encouraged to try to correct the interference by one or more of the following measures:

- Reorient or relocate the receiving antenna.
- Increase the separation between the equipment and receiver.
- Connect the equipment into an outlet on a circuit different from that to which the receiver is connected.

- Consult the dealer or an experienced radio/TV technician for help.

Changes or modifications to this equipment not expressly approved by the party responsible for compliance could void the user's authority to operate the equipment.

This device complies with Part 15 of the FCC rules. Operation is subject to the following two conditions: (1) this device may not cause harmful interference, and (2) this device must accept any interference received, including interference that may cause undesired operation.

To ensure safety of users, the FCC has established criteria for the amount of radio frequency energy that can be safely absorbed by a user or bystander according to the intended usage of the product. This product has been tested and found to comply with the FCC criteria. The sensor unit shall be installed and used such that parts of all persons' body are maintained at a distance of approximately 8 in (20 cm) or more.

This Class B digital apparatus complies with Canadian requirement:
CAN ICES-3 (B)/NMB-3(B)

Industry Canada

This device complies with Industry Canada licence-exempt RSS standard(s).

Operation is subject to the following two conditions: (1) this device may not cause harmful interference, and (2) this device must accept any interference received, including interference that may cause undesired operation.

The term "IC:" before the certification/registration number only signifies that the Industry Canada technical specifications were met.

This product meets the applicable Industry Canada technical specifications.

RF radiation exposure statement

The sensor complies with FCC RF radiation exposure limits set forth for an uncontrolled environment. The sensor unit should be installed and operated with a minimum distance of 8 in (20 cm) between the sensor and all persons' body. This transmitter must not be co-located or operating in conjunction with any other antenna or transmitter. This equipment complies also with Industry Canada RSS-102 with respect to Canada's Health Code 6 for Exposure of Humans to RF Fields.

Limited warranty

What does this limited warranty cover?

The manufacturer of this VTech Product warrants to the holder of a valid proof of purchase ("Consumer" or "you") that the Product and all accessories provided in the sales package ("Product") are free from defects in material and workmanship, pursuant to the following terms and conditions, when installed and used normally and in accordance with the Product operating instructions. This limited warranty extends only to the Consumer for Products purchased and used in the United States of America and Canada.

What will VTech do if the Product is not free from defects in materials and workmanship during the limited warranty period ("Materially Defective Product")?

During the limited warranty period, VTech's authorized service representative will repair or replace at VTech's option, without charge, a Materially Defective Product. If we repair the Product, we may use new or refurbished replacement parts. If we choose to replace the Product, we may replace it with a new or refurbished Product of the same or similar design. We will retain defective parts, modules, or equipment. Repair or replacement of the Product, at VTech's option, is your exclusive remedy. VTech will return the repaired or replacement Products to you in working condition. You should expect the repair or replacement to take approximately 30 days.

How long is the limited warranty period?

The limited warranty period for the Product extends for ONE (1) YEAR from the date of purchase. If VTech repairs or replaces a Materially Defective Product under the terms of this limited warranty, this limited warranty also applies to the repaired or replacement Product for a period of either (a) 90 days from the date the repaired or replacement Product is shipped to you or (b) the time remaining on the original one-year warranty; whichever is longer.

What is not covered by this limited warranty?

This limited warranty does not cover:

1. Product that has been subjected to misuse, accident, shipping or other physical damage, improper installation, abnormal operation or handling, neglect, inundation, fire, water or other liquid intrusion; or
2. Product that has been damaged due to repair, alteration or modification by anyone other than an authorized service representative of VTech; or
3. Product to the extent that the problem experienced is caused by signal conditions,

network reliability, or cable or antenna systems; or

4. Product to the extent that the problem is caused by use with non-VTech accessories; or
5. Product whose warranty/quality stickers, product serial number plates or electronic serial numbers have been removed, altered or rendered illegible; or
6. Product purchased, used, serviced, or shipped for repair from outside the United States of America or Canada, or used for commercial or institutional purposes (including but not limited to Products used for rental purposes); or
7. Product returned without a valid proof of purchase (see item 2 on the next column); or
8. Charges for installation or set up, adjustment of customer controls, and installation or repair of systems outside the unit.

How do you get warranty service?

To obtain warranty service, please visit our website at www.vtechcanada.com or call **1-800-267-7377**.

NOTE: Before calling for service, please review the user's manual - a check of the Product's controls and features may save you a service call.

Except as provided by applicable law, you assume the risk of loss or damage during transit and transportation and are responsible for delivery or handling charges incurred in the transport of the Product(s) to the service location. VTech will return repaired or replaced Product under this limited warranty. Transportation, delivery or handling charges are prepaid. VTech assumes no risk for damage or loss of the Product in transit. If the Product failure is not covered by this limited warranty, or proof of purchase does not meet the terms of this limited warranty, VTech will notify you and will request that you authorize the cost of repair prior to any further repair activity. You must pay for the cost of repair and return shipping costs for the repair of Products that are not covered by this limited warranty.

What must you return with the Product to get warranty service?

1. Return the entire original package and contents including the Product to the VTech service location along with a description of the malfunction or difficulty; and
2. Include a "valid proof of purchase" (sales receipt) identifying the Product purchased (Product model) and the date of purchase or receipt; and
3. Provide your name, complete and correct mailing address, and telephone number.

Other limitations

This warranty is the complete and exclusive agreement between you and VTech. It supersedes all other written or oral communications related to this Product. VTech provides no other warranties for this Product. The warranty exclusively describes all of VTech's responsibilities regarding the Product. There are no other express warranties. No one is authorized to make modifications to this limited warranty and you should not rely on any such modification.

State/Provincial Law Rights: This warranty gives you specific legal rights, and you may also have other rights, which vary from state to state or province to province.

Limitations: Implied warranties, including those of fitness for a particular purpose and merchantability (an unwritten warranty that the Product is fit for ordinary use) are limited to one year from the date of purchase. Some states/provinces do not allow limitations on how long an implied warranty lasts, so the above limitation may not apply to you. In no event shall VTech be liable for any indirect, special, incidental, consequential, or similar damages (including, but not limited to lost profits or revenue, inability to use the Product or other associated equipment, the cost of substitute equipment, and claims by third parties) resulting from the use of this Product. Some states/provinces do not allow the exclusion or limitation of incidental or consequential damages, so the above limitation or exclusion may not apply to you.

Please retain your original sales receipt as proof of purchase.

Technical specifications

| | |
|------------------------------|--|
| Frequency control | Crystal controlled PLL synthesizer |
| Transmit frequency | 1921.536-1928.448 MHz |
| Channels | 5 |
| Sensor operating temperature | 0°F (-18°C) to 130°F (55°C) |
| Nominal effective range | Maximum power allowed by FCC and IC. Actual operating range may vary according to environment conditions at the time of use. |
| Power requirements | 2 x AAA alkaline batteries |

Disclaimer

This product is not designed for security purposes. When properly installed and maintained, this product may in some cases reduce the risk of burglary, fire, robbery or other events occurring without providing an alarm. VTech is not responsible for losses, injury, or damage resulting from the use of this product.

This product is covered by U.S. Patent #8,825,043. Other patents may be pending.



Designed to fit your home.
And your life.

VTech Communications, Inc.
A member of THE VTECH GROUP OF COMPANIES.
VTech is a registered trademark of VTech Holdings Limited.
Specifications are subject to change without notice.
Copyright © 2016 for VTech Technologies Canada Ltd.
All rights reserved. 01/16. VC7002_CA_CIB_V1.0